

WR STYLE
WIRECORE REGULAR FOR A CLEAN
ELEGANT FRAME



VISOTTICA
GROUP

mod. **WR STYLE**
Wirecore REGULAR for a clean elegant frame



Visottica Group brings you the WR Style,
fully integrated monobloc regular wirecore

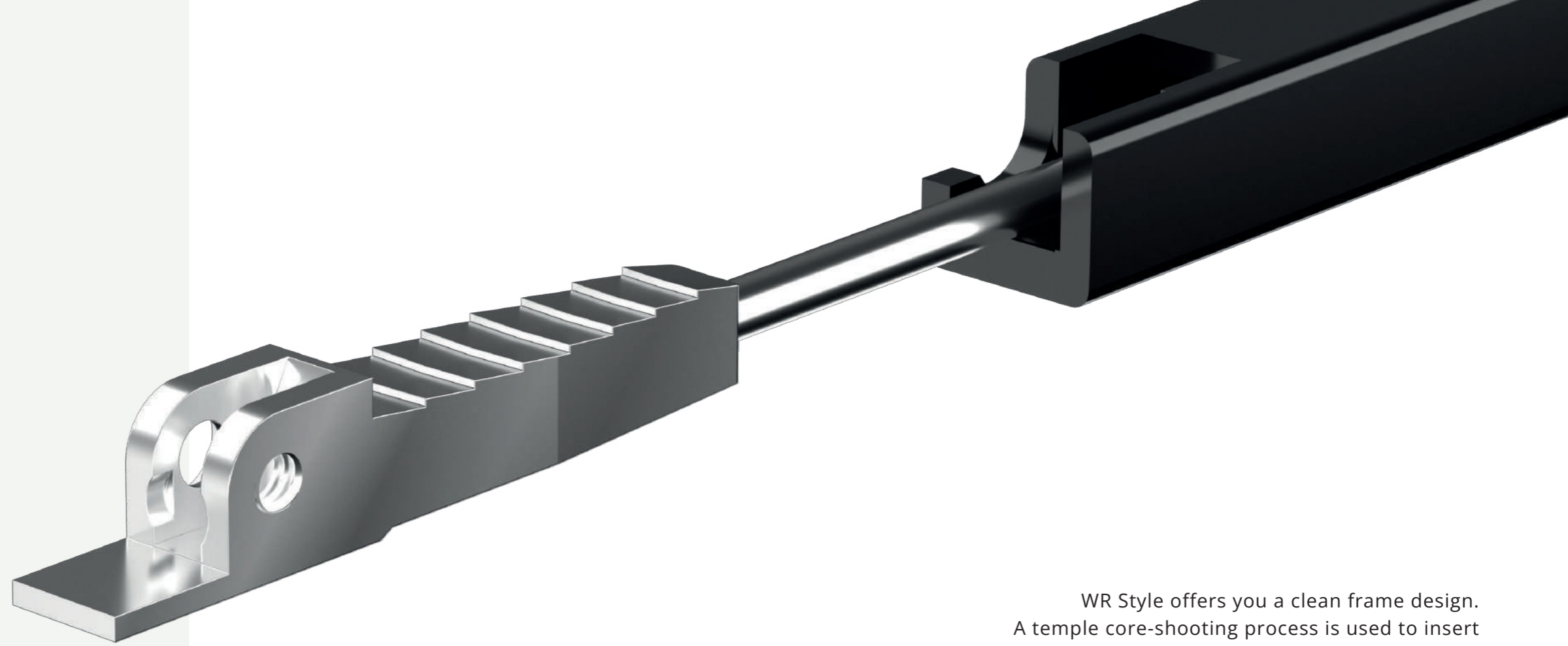
~
design and production
by Visottica Group





FEATURES

Grooved surface for a firmer grip on temples.
No additional screws or glue are needed to secure the wirecore.



WR Style offers you a clean frame design.
A temple core-shooting process is used to insert the wirecore into the acetate temples.

The screw can be applied from underneath so that it is hidden out of sight, for clean sharp design lines.

The product is supplied in nickel-silver.
Other galvanic colors are available on request.

90° Insert Hinge.



Special feature:

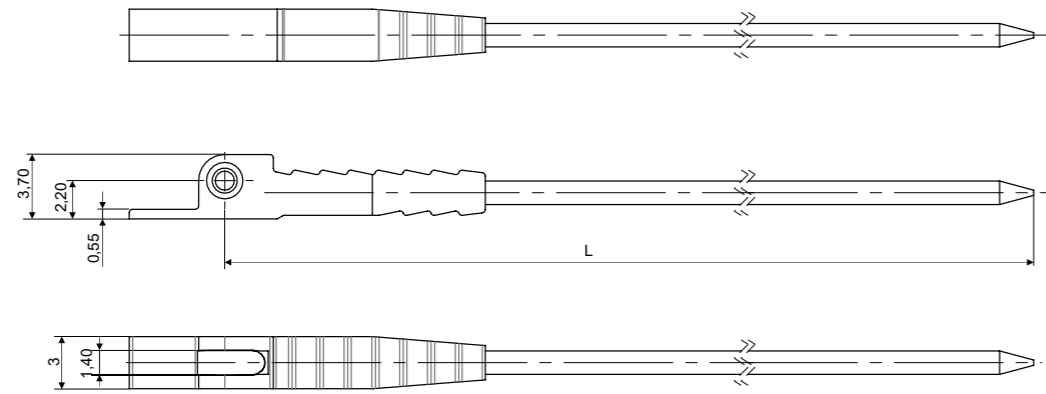
The screw can be applied from underneath so that it is hidden out of sight, for clean sharp design lines.





PRODUCT INFORMATION

WIRECORE

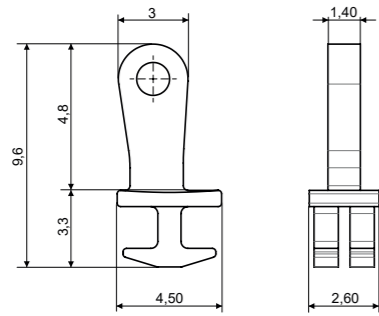


Material: **Nickel silver** - Note: **Screw from underneath or from above on the frame**

L 130 | 03WRCL072A130BNR/L

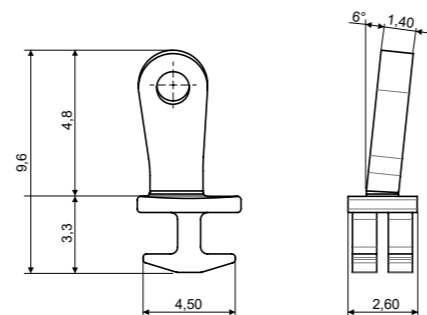
L 135 | 03WRCL072A235BNR/L

HINGE



Material: **Nickel silver**

90° INSERT HINGE | 03MAA0799A1BNX



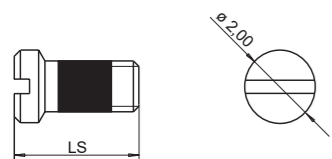
Material: **Nickel silver**

90° INSERT HINGE | 03MAA0800A1BN0

High version 6° slanted angle

sales@visotticagroup.com

SCREW M1.40



Material: **Stainless steel**

LS 3.50 | 07VIA0804A1BYX

Visottica Injection Technology

FEATURES

SCREW: **VIT screw**
JOINT SYSTEM: **3 Joints (3.0 mm)**

PERFORMANCES

BENDING RESISTANCE:
min. 20 complete cycles ±15°
min. 5 complete cycles ±30°





Your partner in solutions for eyewear.

- **Visottica Industrie S.p.a.**

Via Vecchia Trevigiana, 11
31058 Susegana, TV, Italy
Tel +39 0438 6551
Fax +39 0438 450 855

- **O'Reilly Industrial Ltd.**

Rm 302, Shui Hing Centre,
13 Sheung Yuet Road,
Kowloon Bay, Kowloon, Hong Kong
Tel +852 2796 6010
Fax +852 2796 4631

sales@visotticagroup.com

visotticagroup.com